

# Update on Geometry in Barrel-Endcap Gap Region

## Release 4

Below consideration contains just Detector components without services. Consideration of Services in GAP region will be followed up

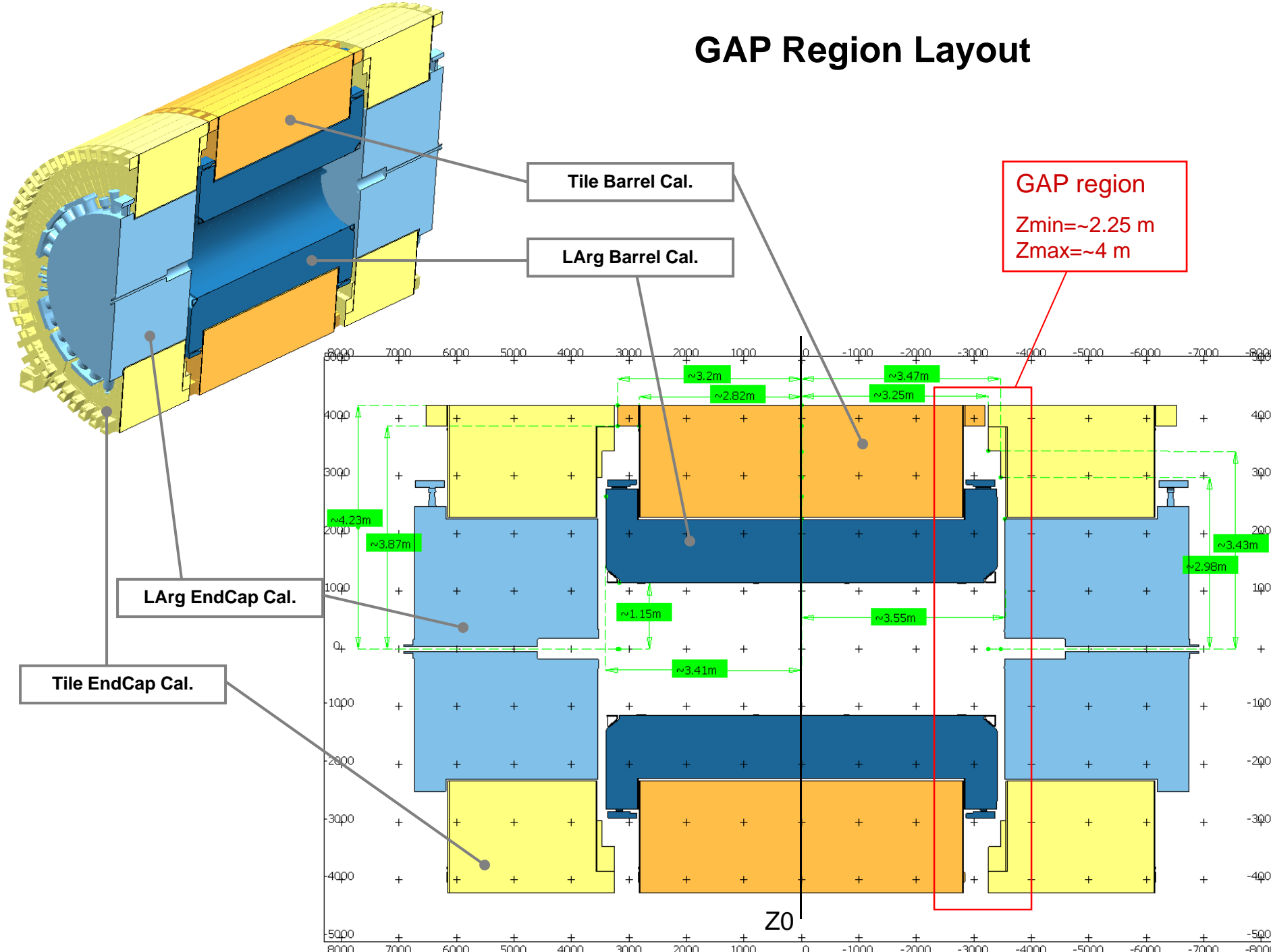
*Alexander Sharmazanashvili*

*Archil Surmava*

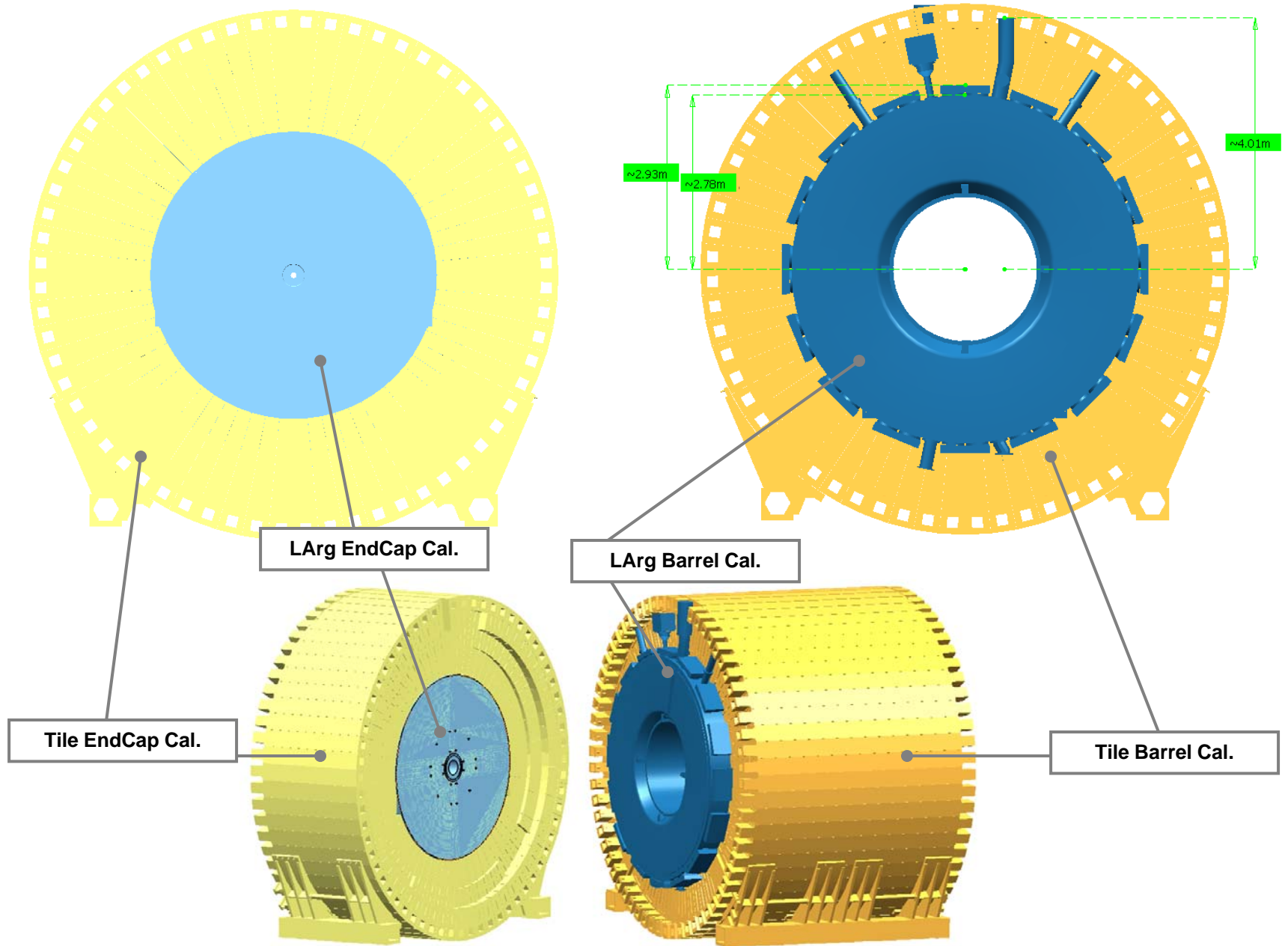
*Besik Kekelia*

*GCCEC* [www.cadcam.ge](http://www.cadcam.ge)

# GAP Region Layout

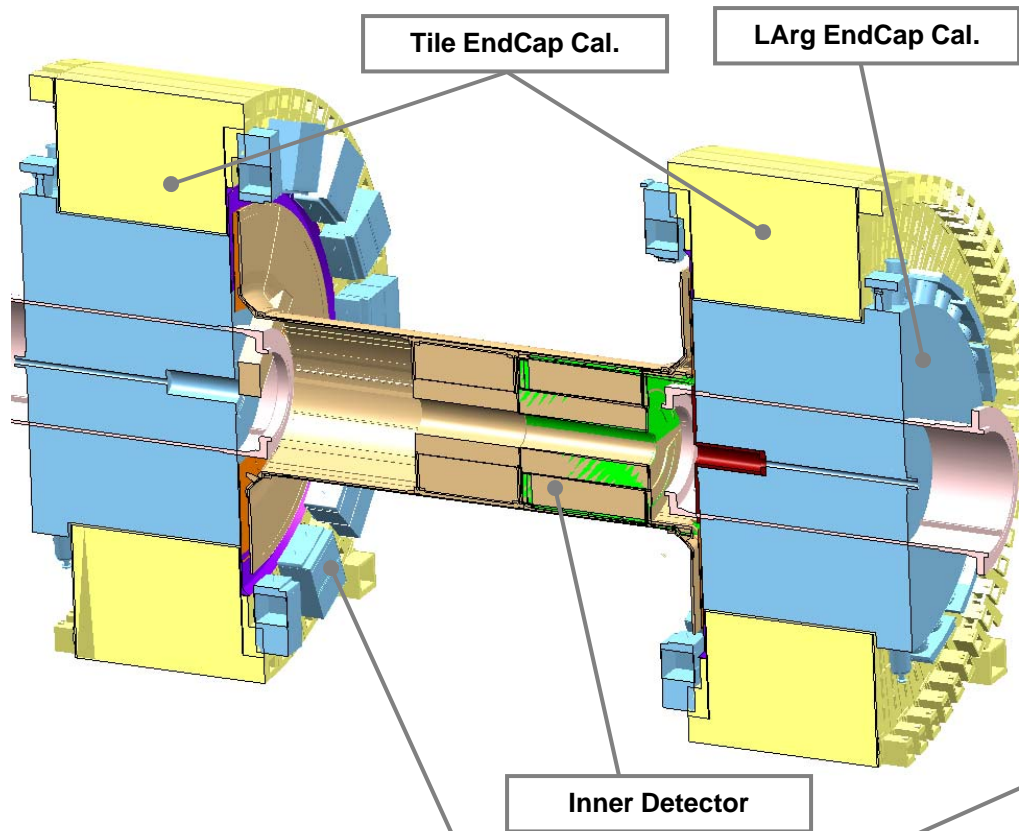


# Layout of Calorimeters

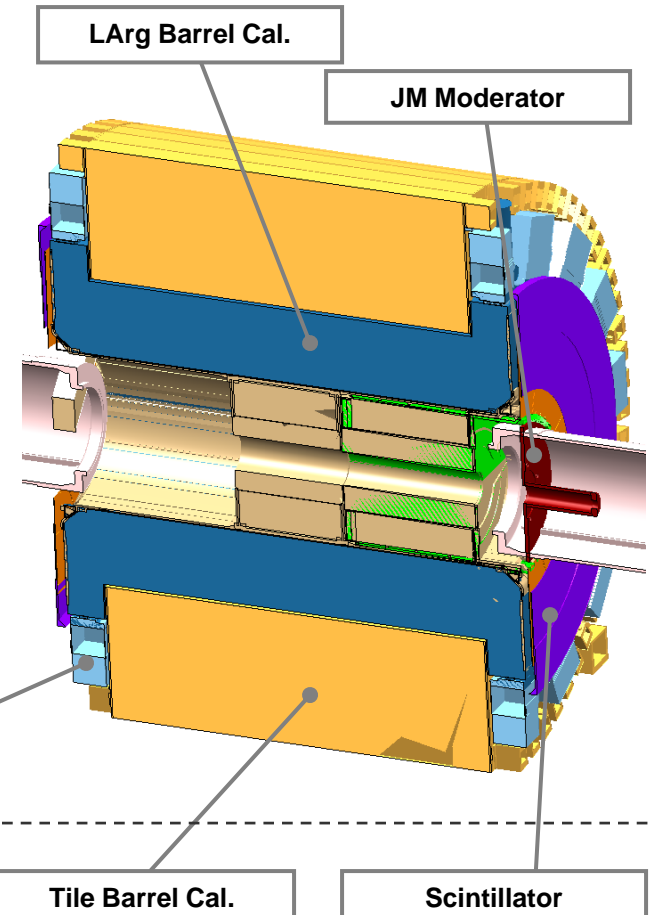


# GENERAL OVERVIEW OF DETECTED COMPONENTS

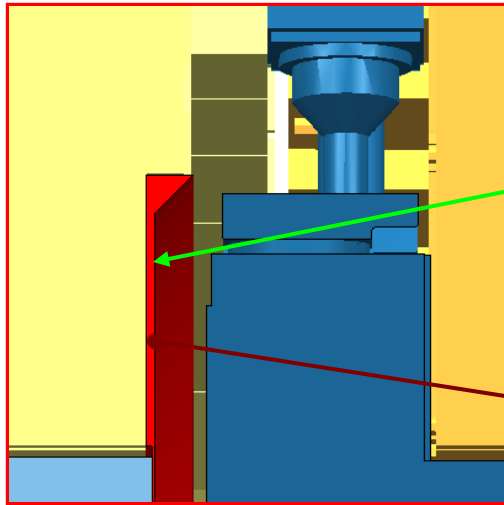
Components with EndCap Calorimeter



Components with Barrel Calorimeter

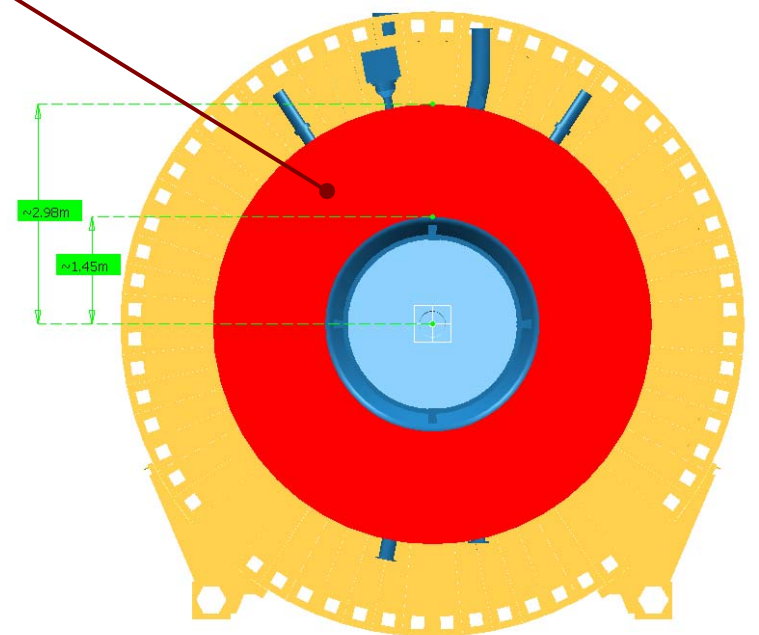
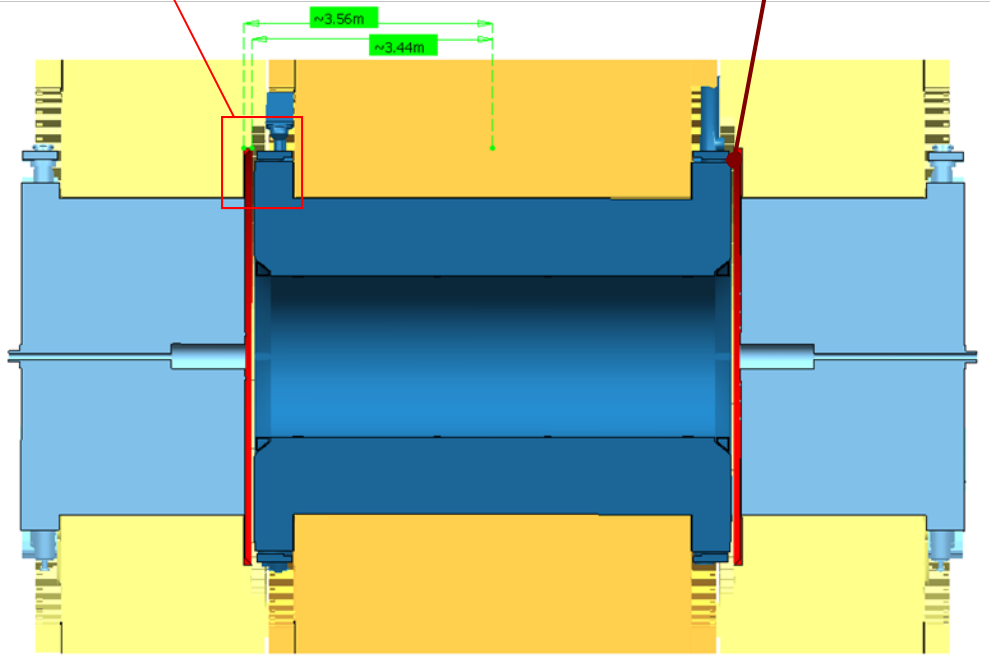
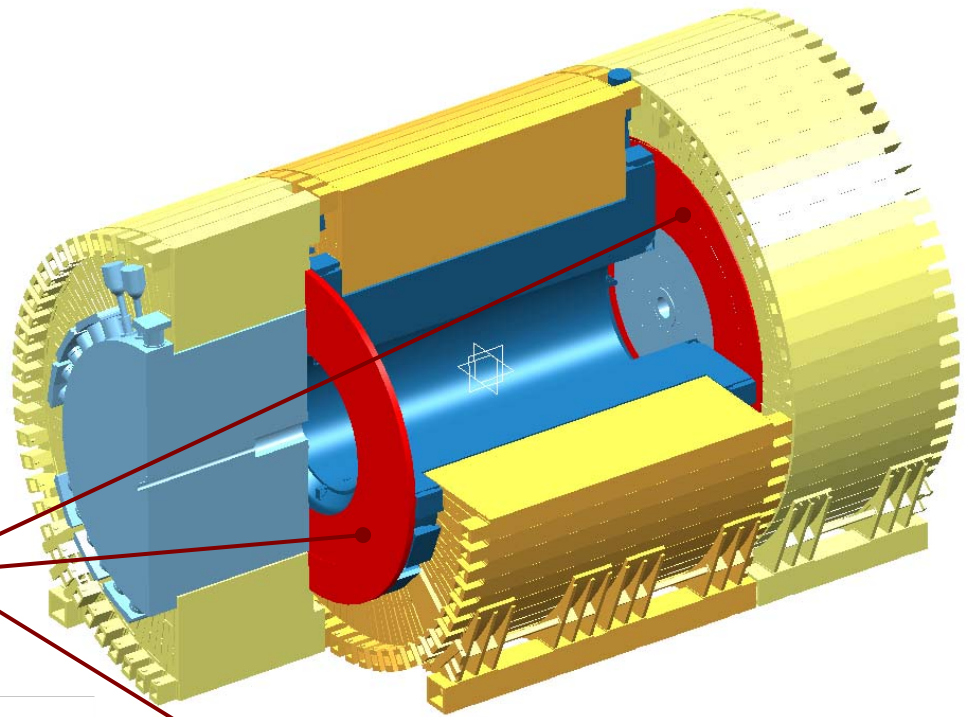


# SCINTILLATOR

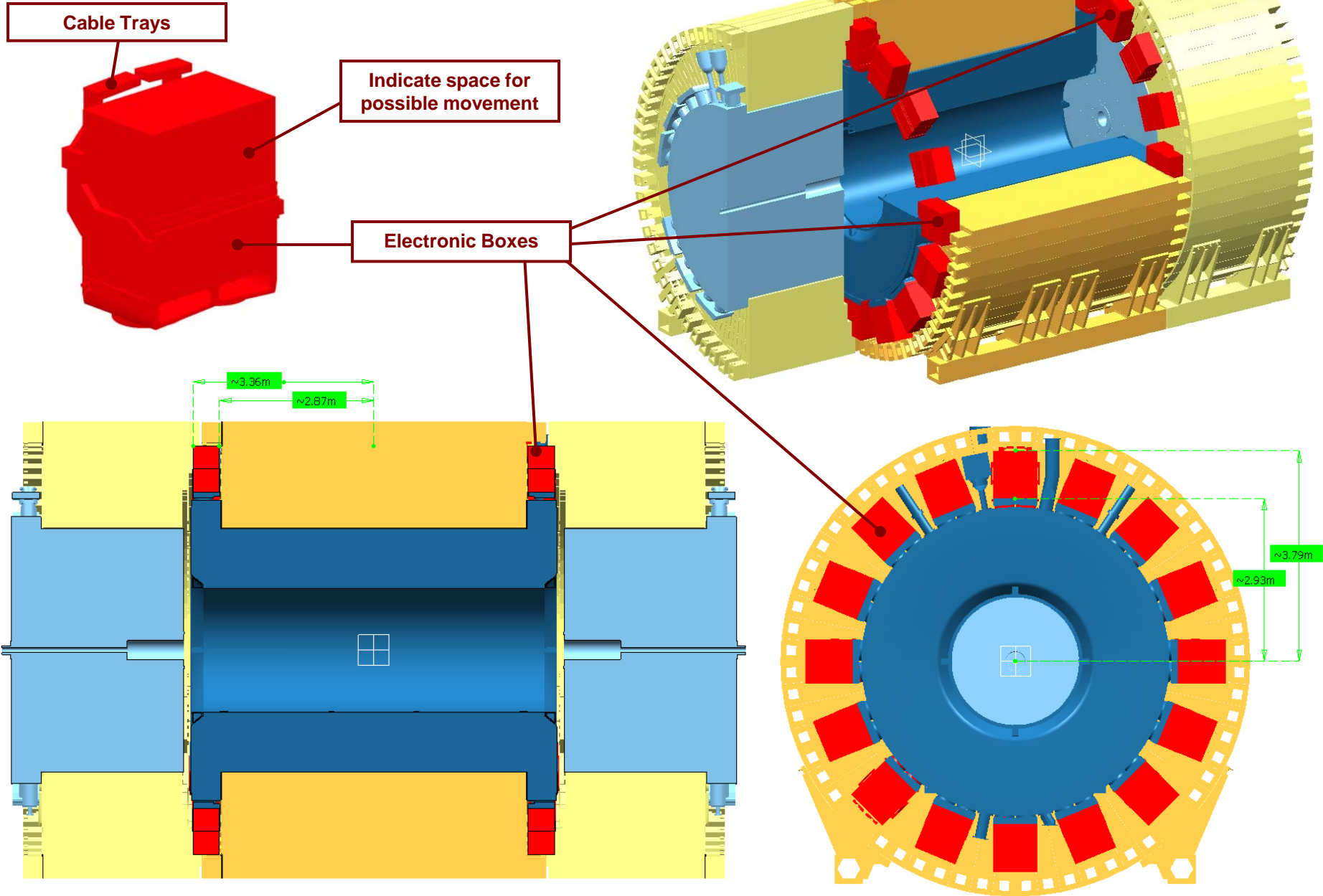


Thickness ~23mm

Scintillator



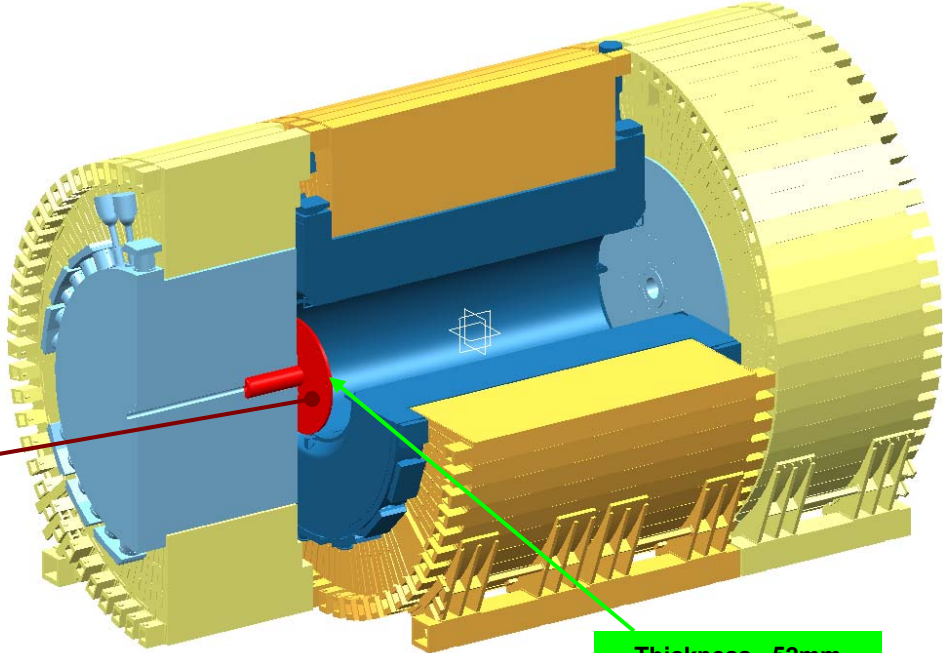
# LAR BARREL ELECTRONIC BOXES



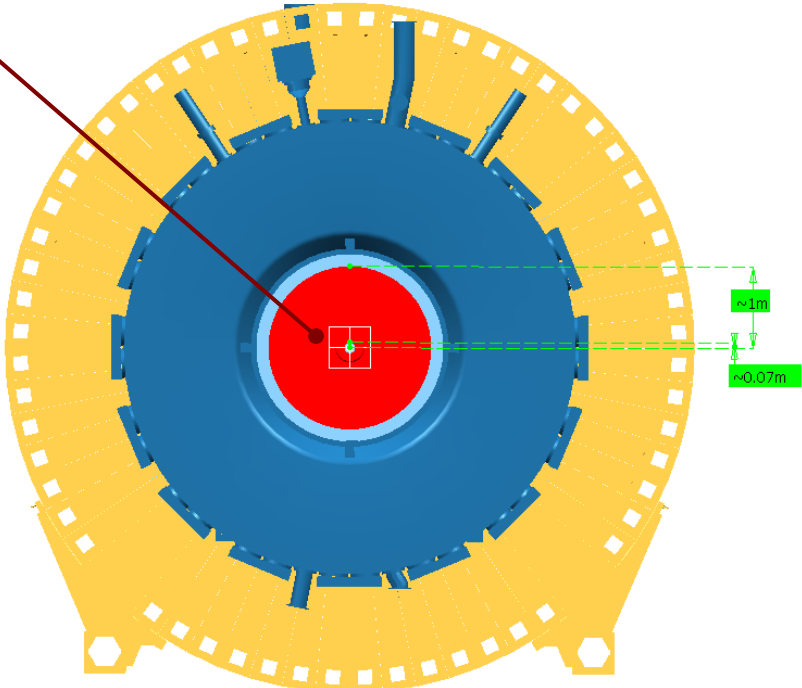
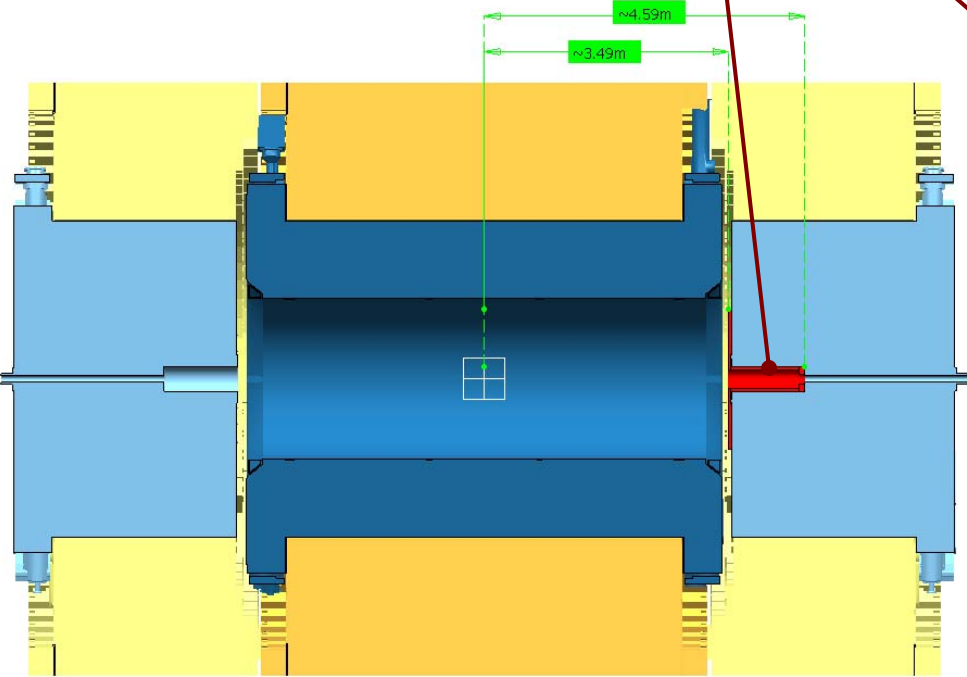


# JM MODERATOR (SIDE C)

JM Moderator

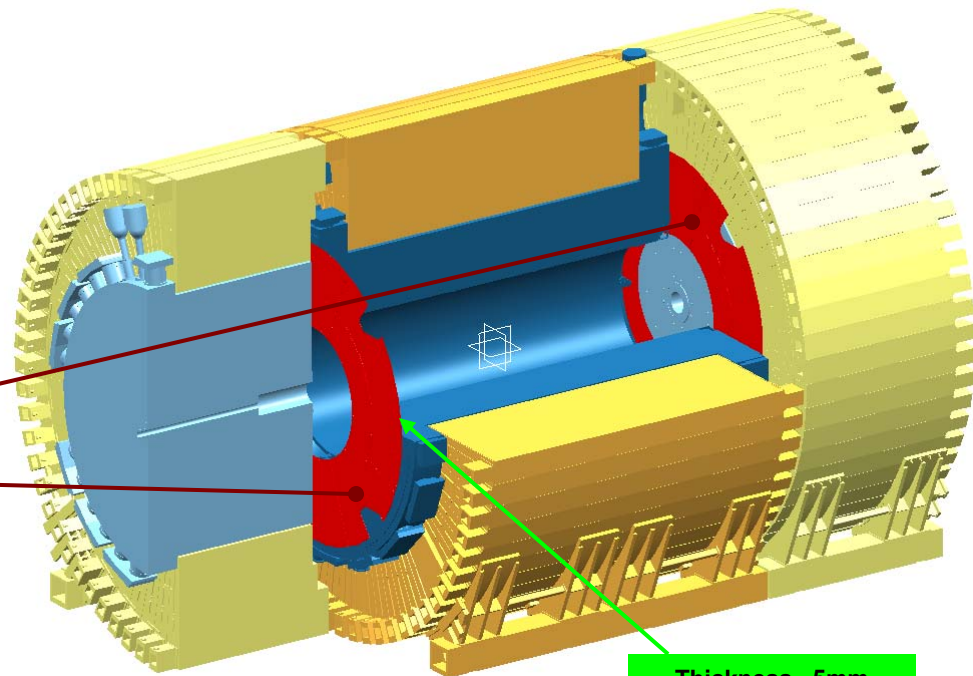


Thickness ~52mm

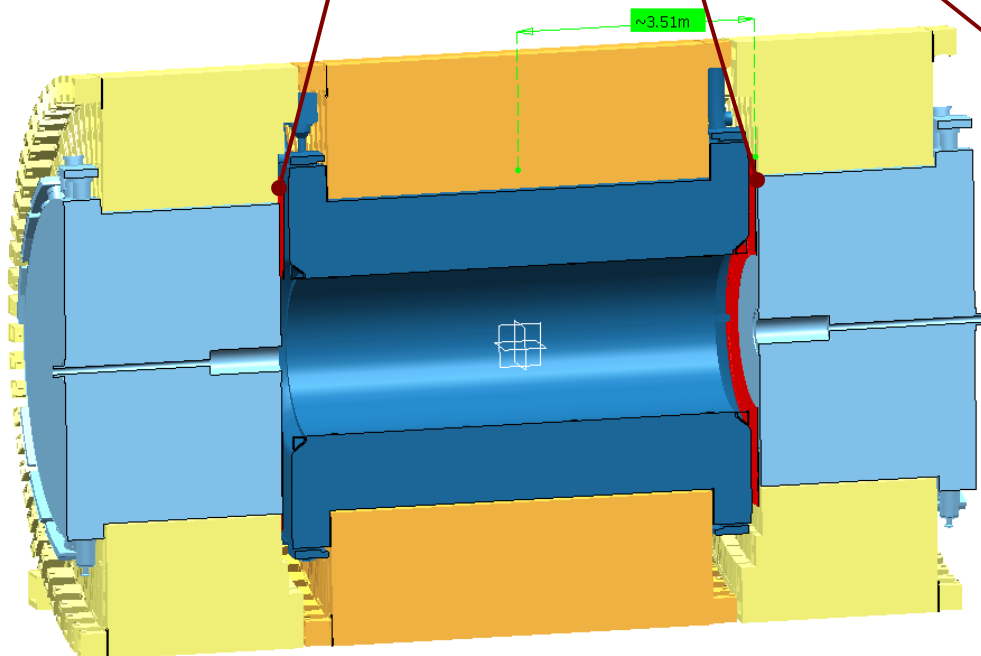


# Inner Detector Outer Plate

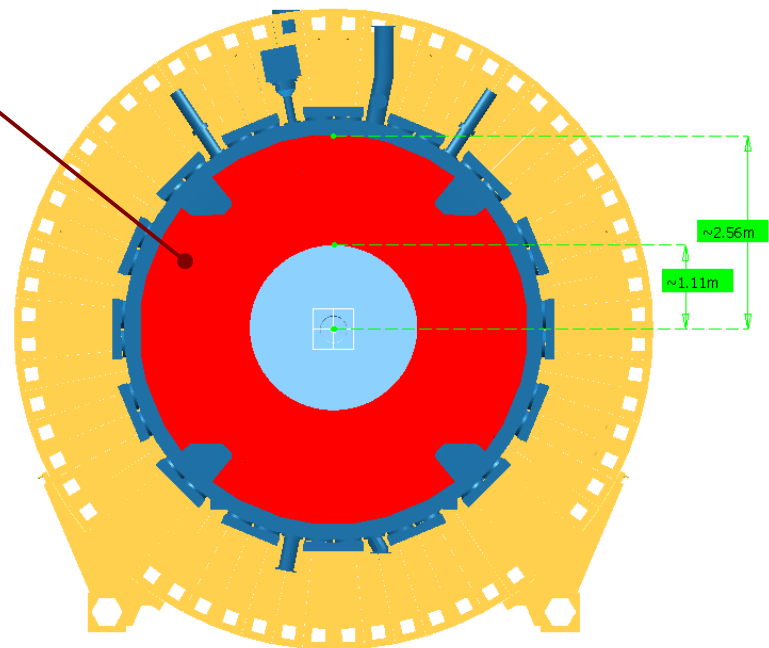
ID Outer Plate



Thickness ~5mm



~3.51m



~2.56m

~1.11m